

IRON

(Ferrozine Method)

Diagnostic reagent for determination of Iron concentration.

Liquid. Dual Reagents. Store at 2°C - 8°C. For in Vitro Diagnostic Use. Do not freeze

Ref No	Pack	Ref No	Pack	Ref No	Pack	Ref No	Pack
A2240	5 x 100 mL	R2240	2885 Tests	L2241	2000 Tests	N2240	800 Tests
A2241	5 x 50 mL	R2241	962 Tests	S2240	3077 Tests	N2241	400 Tests
T2240	3882 Tests	M2240	2512 Tests	S2241	1477 Tests	K2240	5455 Tests
T2241	2059 Tests	M2241	1675 Tests	BY2240	6136 Tests	K2241	3636 Tests
DM2240	630 Tests	L2240	3750 Tests	BY2241	4091 Tests		

INTENDED USE

The test is applied for the quantitative determination of iron concentration in human serum.

TEST PRINCIPLE

Serum Iron: Transferrin-bound iron is realized at an acid pH and reduced from ferric to ferrous ions. These ions react with ferrozine to form a violet colored complex which is measured spectrophotometrically at 560 nm. The absorbance measured at this wavelength is proportional to serum iron concentration.

TEST PARAMETERS

Method	: Colorimetric, Endpoint, Increasing Reaction	
Wavelength	: 578 nm (560-580)	2.WL:700-750nm
Temperature	: 37 °C	
Sample	: Serum	
Linearity	: 10 µg/dL - 500 µg/dL	

REAGENT COMPOSITION

Iron Buffer (Reagent 1):

Acetate buffer	pH 4.5
Hydroxylamine hydrochloride	≤ 220Mm

Reagent 2:

Ferrozine Buffer	≤ 15 g/L
Antibacterial	

Iron Standard:

Ferrous chloride	
Hydroxylamine hydrochloride	

REAGENT PREPARATION

Reagents are ready to use.

Working reagents are stable at 2-8°C in case of closed vials and avoiding contamination after preparation.

For manual working procedures; if working reagent will be used; shake the Reagent 2 vial gently before pouring its contents into the Reagent 1 bottle. It is advisable to wash the Reagent 2 vial with a small volume of the prepared mixture in order to completely rinse the vial and avoid any losses.

REAGENT STABILITY AND STORAGE

Once opened vials are stable minimum 30 days at 2-8°C at optimum conditions. On board stability is strongly related to auto analyzers cooling specification and carry-over values.

SAMPLE

Serum is collected by standard procedures. Sample in serum is stable for 7 days at 20 - 25°C, 3 weeks at 2-8°C and minimum 1 year at -20°C.

TEST PROCEDURE

Sample Start

There are many ready application procedures dedicated to different kinds of photometers and ready manual working processes can be supplied on request.

There are many ready application procedures dedicated to different kinds of biochemistry auto analyzers can be supplied on request.

Substrate Start

There are many ready application procedures dedicated to different kinds of biochemistry auto analyzers can be supplied on request.

CALCULATION

$$\frac{A \text{ Sample}}{A \text{ Standard}} \times \text{conc. of standard} \\ = \text{Iron in sample } (\mu\text{g/dL})$$

Unit Conversion

$$\mu\text{g/dL} \times 0.1791 = \mu\text{mol/L}$$

REFERENCE INTERVAL (NORMAL VALUES)

Total Iron: Women: 37 - 145 $\mu\text{g/dL}$
 Men : 60 – 150 $\mu\text{g/dL}$

*It is recommended that each laboratory establish its own reference range.

QUALITY CONTROL AND CALIBRATION

Commercially available control material with established values determined by this method may be used.

We recommend:

"ARCON N", Assayed Control Serum Normal
Cat.No. A3910

"ARCON P", Assayed Control Serum Abnormal
Cat.No. A3920

The assay requires the use of an Iron Standard or an Iron Calibrator. We recommend:

ARCHEM Standard

Cat.No. IR2240DS

*Any commercially available Standard or Calibrator suitable for this method may be used.

*Calibration Stability: It is strongly depend of application to auto analyzers and auto analyzers specification. Calibration stability is 25 days.

*Each laboratory should establish its own internal Quality Control scheme and procedures for corrective action if controls do not recover within the acceptable tolerances.

Quality control is recommended every morning. Calibration is not recommended if QC control values are acceptable. Reagent should be calibrated after lot changes.

PERFORMANCE CHARACTERISTICS

Low linearity (LOQ) (Based on CLSI EP17A2E document and ARCHITECT c Systems, Also LOQ values are based on CV% values lover %20): 6 $\mu\text{g/dL}$ UIBC. Considerable variation may be seen in linearity depending on the analyzer model and application method.

Sensitivity (LOD) (Based on CLSI EP17A2E document): 2 $\mu\text{g/dL}$

High Linearity: 500 $\mu\text{g/dL}$. Considerable variation may be seen in linearity depending on the analyzer model and application method.

If the limit value is exceeded, it is suggested to dilute sample 1+9 with distilled water and to repeat the test, multiplying the result by 10.

Linearity may considerably vary depending on the instrument used.

Precision Studies (Based on CLSI EP5 Doc.):

Repeatability (within run) (Intra-assay)

Mean conc.	SD	CV	n
111.70 $\mu\text{g/dL}$	2.31	2.10%	10
172.10 $\mu\text{g/dL}$	2.28	1.30%	10

Reproducibility (run to run) (Inter-assay)

Mean conc.	SD	CV	n
111.79 $\mu\text{g/dL}$	2.66	2.40%	20
170.58 $\mu\text{g/dL}$	2.53	1.50%	20

Correlation: Corr with a reference reagent is: $r=0,99$ (Between 20 $\mu\text{g/dL}$ to 500 $\mu\text{g/dL}$)

Trueness: Results obtained with this reagent did not show systematic differences when compared with reference reagents. Details of the comparison experiments are available on request.

Interferences: No interference was observed by the presence of:

Hemoglobin	$\leq 80 \text{ mg/dL}$
Bilirubin	$\leq 50 \text{ mg/dL}$
Lipids	$\leq 100 \text{ mg/dL}$

Methods comparison: A comparison between Archem and a commercially available product gave the following results:

Iron Archem = x

Iron competitor = y

n = 95

$y = 1.08x - 8.71 \mu\text{g/dl}$ $r^2 = 0.97$

These performance characteristics have been obtained using an analyzer. Results may vary if a different instrument or a manual procedure is used.

NOTES

1. For in vitro diagnostic use only. Do not pipette by mouth. Avoid contact with skin and mucous membranes.
2. All the calibrators, controls and some reagents must be considered as human & animal sample, so potentially infectious; all the protection actions must be applied to avoid any potential biological risk.
3. Material safety data sheet will be supplied on request.
4. Exercise the normal precautions required for handling laboratory reagents.

5. After measurements are taken, reagent bottles should cap and kept at 2-8°C. Caps of the reagents bottles cannot be used between two different kind of reagent and between R1&R2.
6. Reagents with different lot numbers should not be interchanged or mixed.
7. The linearity limit depends on the sample to reagent ratio.

PRECAUTIONS AND WASTE DISPOSAL

This product is made to be used in professional laboratories and by professional operators. Perform the test according to the general "Good Laboratory Practice" (GLP) guidelines.

R36/38 : Irritating to eyes and skin.

S20/21 : When using, do not eat, drink or smoke.

S26 : In case of contact with eyes, rinse immediately with plenty of water and seek medical advice.

S28 : After contact with skin wash immediately with plenty of water.

S36/37/39: Wear suitable protective clothing, gloves and eye/face protection.

S45 : In case of accident or if you feel unwell, seek medical advice immediately.

S56 : Dispose of this material and its container at hazardous or special waste collection point.

S57 : Use appropriate container to avoid environmental contamination.

S61 : Avoid release in environment. Refer to special instructions/safety data sheets.

Please consult local regulations for a correct waste disposal.

ABBREVIATIONS

CLSI : Clinical and Laboratory Standards Institute

CV% : Coefficient of Variation Percentage

EP : Evaluation Protocols

GLP : Good Laboratory Practice

IU : International Unit

mA : milliabsorbance

mL : milliliter

NCCLS: National Committee for Clinical Laboratory Standards

QC : Quality Control

REFERENCES




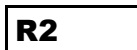








1. Tietz, NW, Textbook of Clinical Chemistry, W.B. Saunders Co, Philadelphia, PA 1986, pp 52-53 (techniques and procedures to minimize laboratory infections) and pp 478-497 (specimen collection and storage recommendations).
2. Tietz NW. Clinical Guide to Laboratory Tests. 3rd ed. Philadelphia, PA: WB
3. Young DS. Effects of Drugs on Clinical Laboratory Tests. 3rd ed. Washington: Press; 1990.

4. Artiss JD, Vinogradov S, Zak B. Spectrophotometric study of several sensitive reagents for serum iron. Clin Biochem. 1981;14:311-315.
5. Siedel J. Improved Ferrozine based reagent for the determination of serum iron (transferrin iron) without deproteinization. Clin Chem. 1984;30:975.
6. Clinical and Laboratory Standards Institute (formerly NCCLS). Evaluation of Precision Performance of Quantitative Measurement

Methods; Approved Guideline-Second Edition. Wayne, PA: Clinical and Laboratory Standards Institute; 2004. NCCLS Document EP05-A.

7. Saunders Company; 1995:374. Garcic A. - Clin. Chim. Acta 94, 115 (1979)

SYMBOLS

	Only for invitro diagnostic use
	Lot of manufacturing
	Reagent 1
	Reagent 2
	Concentration
	Reagent Ingredients
	Reference Number (Catalog No)
	Serial Number
	Expiration date
	Storage temperature interval
	Read the directions
	Biological risk



Archem Diagnostics Industry LTD. ŞTİ.
 Organize Sanayi Bölgesi, Mutsan Sanayi Sitesi
 M8 Blok No: 48 Başakşehir / İSTANBUL TURKEY
 Tlf: + 90 212 444 08 92
 Fax: +90 212 629 98 89
info@archem.com.tr
www.archem.com.tr